



P/N: TS6121C3 DATA SHEET

Feature



- Designed to meet IEEE 802.3u requirement , including 350uH OCL with 8mA bias.
- Operating temperature range: 0°C to +70°C .
- Storage temperature range: -25°C to +125°C .

Electrical Specifications @ 25°C

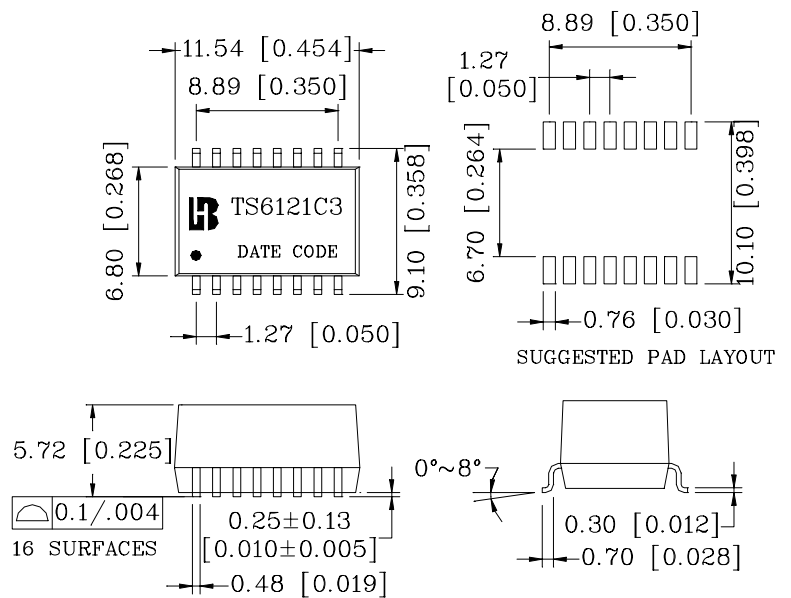
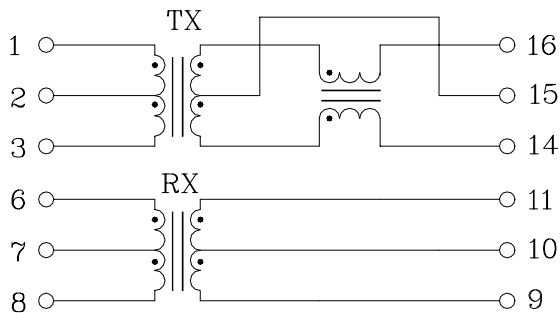
Part Number	Turns Ratio (±5%)		OCL (uH Min) @ 100KHz/0.1V with 8mA DC Bias	C _{ww} (pF Max)	L.L (uH Max)	DCR (Ω Max)		HI-POT (Vrms)
	1-3:16-14	6-8:11-9				1-3/6-8/11-9	16-14	
TS6121C3	1CT:1CT	1CT:1CT	350	28	0.5	0.9	1.1	1500

Continue

Part Number	Insertion Loss (dB Max)	Return Loss TX/RX(dB Min)			Cross talk TX/RX(dB Min)		DCMR TX/RX(dB Min)		
		0.3-100MHz	30MHz	60MHz	80MHz	0.3-60MHz	60-100MHz	30MHz	60MHz
TS6121C3	-1.15	-18/-15	-14/-12	-12/-10	-45/-40	-35/-30	-40/-35	-35/-30	-30/-25

Schematic

Mechanical



Units: mm[Inches] Tolerance: xx.x0±0.25[0.010]
0.xx±0.05[0.002]